

Dynapac CC125

Double drum vibratory rollers

Atlas Copco



Technical data



Masses

Max. operating mass	3,200 kg
Operating mass (incl. ROPS)	3,100 kg
Module mass (front/rear)	1,500 kg/1,600 kg



Traction

Speed range (Dual/TC/AS)	0-12 km/h
Vertical oscillation	±10°
Theor. gradeability	38 %



Compaction

Centrifugal force	27 kN
Nominal amplitude	0.5 mm
Static linear load (front/rear)	12.5/13.3 kg/cm
Vibration frequency	58 Hz
Water tank	160



Engine

Manufacturer/Model	Mahindra 275DI
Type	Water cooled diesel
Rated power, SAE J1995	28.7 kW (39 hp) @ 2,600 rpm
Fuel tank capacity	50 l



Hydraulic system

Driving	Axial piston pump with variable displacement and servo. 2 radial piston motors with constant displacement.
Vibration	Gear pump/motors with constant displacement.
Steering	Gear pump with constant displacement.
Service brake	Hydrostatic in forward and reverse lever.
Parking/ Emergency brake	Failsafe multidisc brake.

Find us locally at www.atlascopco.com

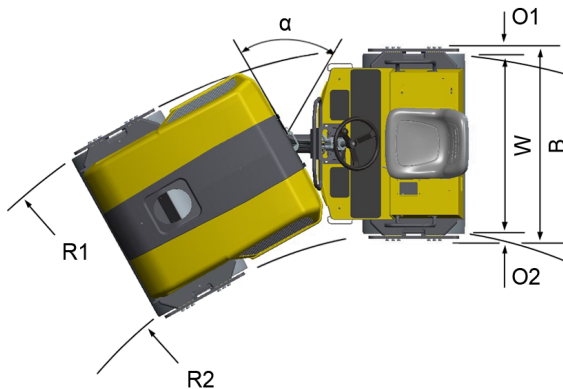
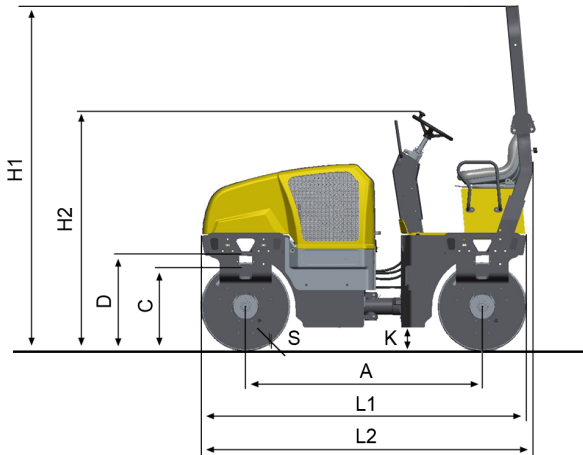
We reserve the right to change specifications without notice. Photos and illustrations do not always show standard versions of machines. The above information is a general description only, all informations are supplied without liability.

Dynapac CC125

Double drum vibratory rollers

Atlas Copco

Technical data



Dimensions	
A. Wheelbase	1,811 mm
B. Width	1,262 mm
C. Curb clearance	572.5 mm
D. Drum diameter	682 mm
H1. Height, with ROPS/cab	2,649 mm
H2. Height, w/o ROPS/cab	1,836 mm
K. Ground clearance	183 mm
L1. Length	2,487 mm
L2. Length (ROPS)	2,588 mm
O1. Overhang, right	31 mm
O2. Overhang, left	31 mm
R1. Turning radius, outside	4,100 mm
R2. Turning radius, inside	2,900 mm
S. Drum shell thickness	13 mm
W. Drum width	1,200 mm
α . Steering angle	$\pm 29^\circ$

Find us locally at www.atlascopco.com

We reserve the right to change specifications without notice. Photos and illustrations do not always show standard versions of machines. The above information is a general description only, all informations are supplied without liability.

rce_cc125_en-20150529.072052.pdf 2015-05-29 07:20