

# Dynapac CC385HF

## Double drum vibratory rollers

Atlas Copco



### Technical data



#### Masses

Max. operating mass	10,700 kg
Operating mass (incl. ROPS)	9,400 kg
Module mass (front/rear)	4,700 kg/4,700 kg



#### Traction

Speed range (Dual/TC/AS)	0 - 12
Vertical oscillation	±7
Theor. gradeability	37 %



#### Compaction

Centrifugal force (high/low amplitude)	90 kN/75 kN
Nominal amplitude (high/low)	0.7 mm/0.3 mm
Static linear load (front/rear)	27.2 kg/cm/27.2 kg/cm
Vibration frequency (high/low amplitude)	48 Hz/67 Hz
Water tank	750



#### Engine

Manufacturer/Model	Kirloskar 4R1040TA3
Type	Water cooled Turbo charged + Intercooler
Rated power, SAE J1995	77.2 kW (105 hp) @ 2,200 rpm
Fuel tank capacity	205 l



#### Hydraulic system

Driving	Axial piston pump with variable displacement. Axial piston motors (2) with variable displacement.
Vibration	Axial piston pumps (2) with variable displacement. Axial piston motors (2) with constant displacement.
Steering	Gear pump with constant displacement.
Service brake	Hydrostatic in forward and reverse lever.
Parking/ Emergency brake	Failsafe multidisc brake in both drums.

Find us locally at [www.atlascopco.com](http://www.atlascopco.com)

We reserve the right to change specifications without notice. Photos and illustrations do not always show standard versions of machines. The above information is a general description only, all informations are supplied without liability.

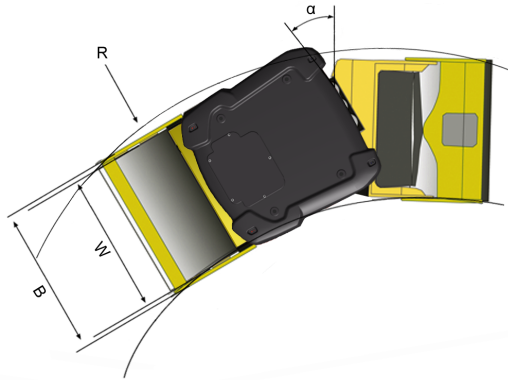
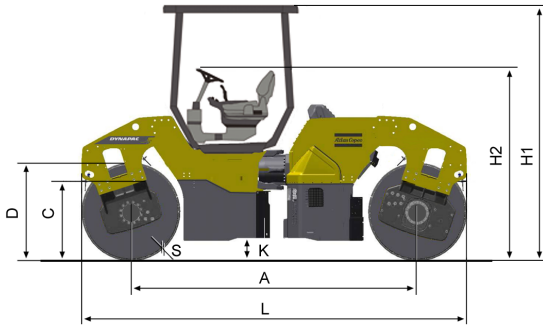
rce\_cc385hf\_en-20151013.141015.pdf 2015-10-13 14:10

# Dynapac CC385HF

## Double drum vibratory rollers

Atlas Copco

### Technical data



Dimensions	
A. Wheelbase	3,340 mm
B. Width	1,940 mm
C. Curb clearance	715 mm
D. Drum diameter	1,150 mm
H1. Height, with ROPS/cab	2,990 mm
H2. Height, w/o ROPS/cab	2,275 mm
K. Ground clearance	270 mm
L. Length	4,490 mm
R. Turning radius, outside	5,305 mm
S. Drum shell thickness	17 mm
W. Drum width	1,730 mm
α. Steering angle	±32°

Find us locally at [www.atlascopco.com](http://www.atlascopco.com)

We reserve the right to change specifications without notice. Photos and illustrations do not always show standard versions of machines. The above information is a general description only, all informations are supplied without liability.

rce\_cc385hf\_en-20151013.141015.pdf 2015-10-13 14:10