

Dynapac CC425

Double drum vibratory rollers

Atlas Copco



Product image for illustration purposes only. Actual product may vary.

Technical data



Masses

Max. operating mass	9,650 kg
Operating mass (incl. Canopy)	9,200 kg
Module mass (front/rear)	4,800 kg/4,400 kg



Traction

Speed range	0-12 km/h
Vertical oscillation	±7°
Theor. gradeability	39 %



Compaction

Centrifugal force (high/low amplitude)	130 kN/60 kN
Nominal amplitude (high/low)	0.9 mm/0.4 mm
Static linear load (front/rear)	28.4 kg/cm/26.0 kg/cm
Vibration frequency	36 Hz/54 Hz
Water tank	950 l



Engine

Manufacturer/Model	Kirloskar 4R1040TC
Type	Turbo charged, intercooler, BSIII Diesel Engine
Rated power, SAE J1995	(76 hp) @ 2,200 rpm
Fuel tank capacity	250 l



Hydraulic system

Driving	Axial piston pump with variable displacement. Axial piston motor with variable displacement.
Vibration	Axial piston pump with variable displacement. Axial piston motor with fixed displacement.
Steering	Gear pump with constant displacement.
Service brake	Hydrostatic in forward and reverse lever.
Parking/ Emergency brake	Failsafe multidisc brake.

Find us locally at www.atlascopco.com

We reserve the right to change specifications without notice. Photos and illustrations do not always show standard versions of machines. The above information is a general description only, all informations are supplied without liability.

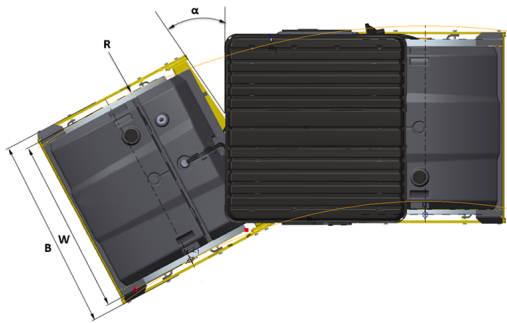
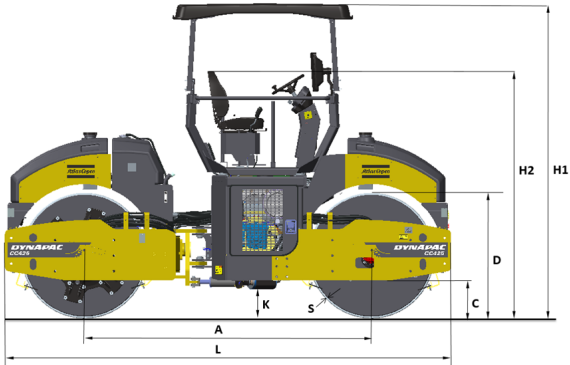
rce_cc425_en-20151118.111246.pdf 2015-11-18 11:12

Dynapac CC425

Double drum vibratory rollers

Atlas Copco

Technical data



Dimensions	
A. Wheelbase	2,785 mm
B. Width	1,885 mm
C. Curb clearance	370 mm
D. Drum diameter	1,220 mm
H1. Height, with canopy	3,060 mm
H2. Height, w/o canopy	2,400 mm
K. Ground clearance	282 mm
L. Length	4,340 mm
R. Outer turning radius with off-set	6,500 mm
S. Drum shell thickness	17 mm
W. Drum width	1,690 mm
α. Steering angle	±28°

Find us locally at www.atlascopco.com

We reserve the right to change specifications without notice. Photos and illustrations do not always show standard versions of machines. The above information is a general description only, all informations are supplied without liability.

rce_cc425_en-20151118.111246.pdf 2015-11-18 11:12