


605K/655K/755K CRAWLER LOADERS

83–142 kW (110–190 hp)



JOHN DEERE





Designed to meet the most demanding specs — yours.

Inspired by input from owners and operators across North America, the re-imagined K-Series Crawler Loaders are loaded with productivity- and uptime-boosting enhancements. Like ultra-quiet and comfortably spacious operator stations. More control choices. An innovative on-demand cooling system with optional hydraulic reversing fan. And quicker daily, and less frequent, periodic maintenance. Plus, their IT4/Stage IIIB engines meet rigid emission standards, so you can work, everywhere there's work, even in nonattainment areas. To get your hands on one, see your John Deere dealer.



John Deere PowerTech™ EPA Interim Tier 4 (IT4)/EU Stage IIIB diesel engines deliver a productive combination of power and torque.

Quad-Cool™ design isolates coolers from engine heat for increased efficiency and durability. Standard hydraulic-driven, variable-speed suction fan runs only as needed, reducing noise, fuel consumption, and cooling component wear.

Exceptionally durable undercarriage features unitized track frames with mainframe-mounted planetary final drives for maximum uptime. To increase durability and decrease operating costs in extremely abrasive conditions, opt for an extended-life undercarriage with SC-2™ bushings.

Total Machine Control (TMC) allows you to customize operating characteristics and response, for superb, one-of-a-kind control.

Only our loaders are available with John Deere WorkSight™. This easy-to-use, comprehensive suite of technology increases uptime and productivity while lowering operating costs. JDLink™ machine monitoring provides real-time machine utilization and health data, plus location information. Fleet Care proactively suggests maintenance to correct problems early before they create costly downtime. Service ADVISOR™ Remote enables your dealer to read diagnostic codes, record performance data, and even update software without a trip to the jobsite.

Specifications	605K	655K	755K
Net Power	83 kW (110 hp) at 2,200 rpm	110 kW (145 hp) at 1,800 rpm	142 kW (190 hp) at 1,800 rpm
SAE Heaped Capacity			
General-Purpose Bucket	1.3 m ³ (1.7 cu. yd.)	1.9 m ³ (2.4 cu. yd.)	2.5 m ³ (3.2 cu. yd.)
Multipurpose Bucket	1.0 m ³ (1.3 cu. yd.)	1.6 m ³ (2.1 cu. yd.)	2.0 m ³ (2.6 cu. yd.)
Bucket Breakout Force	107 kN (24,054 lbf)	148 kN (33,271 lbf)	197 kN (44,287 lbf)
Static Tipping Load			
General-Purpose Bucket	8858 kg (19,529 lb.)	12 443 kg (27,432 lb.)	15 362 kg (33,867 lb.)
Multipurpose Bucket	8231 kg (18,146 lb.)	12 184 kg (26,861 lb.)	14 901 kg (32,851 lb.)
Base Weight	12 220 kg (26,940 lb.)	18 422 kg (40,614 lb.)	20 492 kg (45,178 lb.)

Get loads more productivity, without overloading your operator.



Whether you're excavating, loading trucks, backfilling, or grading, the K-Series provides the muscle and maneuverability you need to get more done. Power and weight are optimized, enabling these three to deliver impressive breakout force, lift capacity, and stability. State-of-the-art controls put you in complete control of an arsenal of production-boosting advantages, such as power turns, counterrotation, and infinitely variable travel speeds. What's more, Total Machine Control allows customized forward/reverse ground-speed ranges, steering modulation, and forward/reverse speed ratios. Nothing else runs like these Deere.



Infinitely variable range to 10 km/h (6.2 mph) gives total flexibility to match ground speed to the load. Travel can also be varied to fit specific applications, terrain conditions, and operating preferences — or limited to maximize undercarriage life.

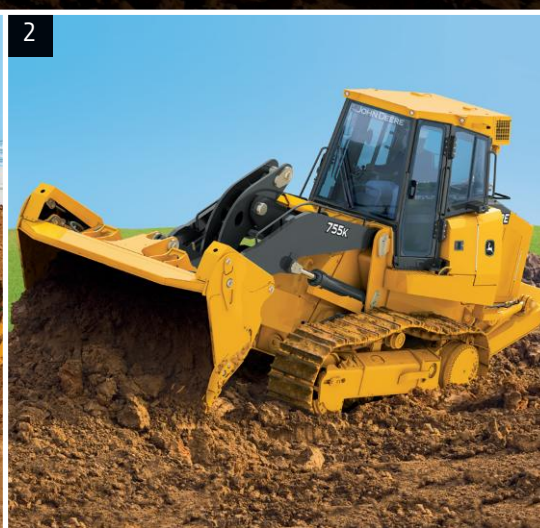
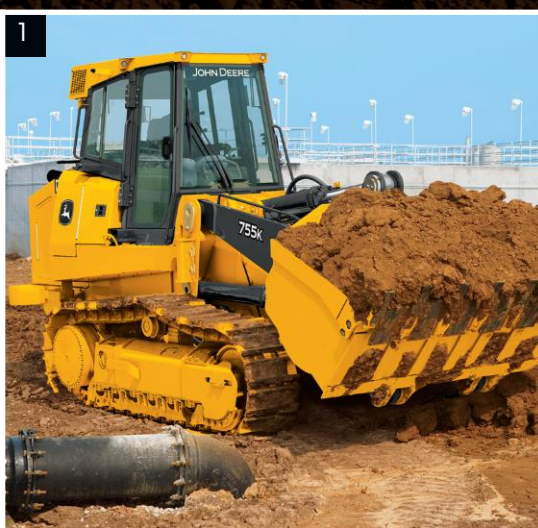
Counterrotating tracks boost maneuverability on crowded jobsites with space-saving spot turns. It's a productivity advantage that also works well for overcoming heavy corner loads and for quickly repositioning the bucket on the go.

Their six-roller track frames and optimized centers of gravity make these loaders highly stable machines. Static tipping load capacity is an impressive 8858 kg (19,529 lb.) on the 605K, 12 443 kg (27,432 lb.) on the 655K, and 15 362 kg (33,867 lb.) on the 755K.

1. Infinitely variable speed control lets you increase or slow power to either track, for smooth moves around structures and on soft terrain.

2. Want to put even more work within reach? Add a 4-in-1 multipurpose bucket for loading, bulldozing, spreading material, and handling cumbersome objects.

3. Power management takes the guess and work out of efficient operation. Simply set the maximum ground speed and the system does the rest, automatically maintaining peak engine power and efficiency without stalling or shifting.



Get more done inside our comfort zone.

Want your operators to be more productive? Put them in the comfortable high-back seat of our noticeably quieter, more spacious cabs. Three hydraulic and two transmission-control options enable you to choose how the work gets done. From ergonomically designed, fully customizable controls to best-in-class visibility, these standard-setting loaders come loaded with everything you need to keep your operators comfortably productive.

Beyond the expected cup holders, there are plenty of other places to store stuff, including a cooler.

Spacious cab is a welcome departure from the cramped quarters in other loaders. Entryways are wide, and user-friendly pull-type latches ease entry and exit.

Viscous cab mounts, rear acoustical glass, and extensive insulation effectively isolate operators from vibration and noise. At just 78 dBA, the cab is noticeably quiet.

Numerous directional vents keep the glass clear and interior comfortable. Pressurized cab helps keep dust out. Air conditioning is standard.

We've got your back with a standard high-back air-suspension seat that adjusts multiple ways for daylong comfort and support. Deluxe heated and leather-bolstered seat is optional.

Pilot-controlled hydrostatic drivetrain and load-sensing hydraulics deliver fatigue-beating low-effort response and control, at all times and in all conditions.

In-cylinder sensors eliminate external linkage, enabling return-to-dig, boom-height kickout, and bucket leveling. Setting them is push-button easy from the seat. These standard features, plus boom float, help speed cycles in repetitive applications such as truck loading.





1. Multi-language monitor provides a wealth of machine info in addition to vital and general operating conditions. You can even “customize” forward/reverse ground-speed ranges, steering modulation, FNR shift rate, and forward/reverse speed ratios.

2. Sealed-switch module gives fingertip control of keyless start, and enables exclusive features such as turbocharger cool-down and auto shutdown. Touchpad security system requires a numeric pass code (when enabled) to prevent unauthorized operation.

3. Joystick FNR or V-pattern transmission lever with steering pedals? Single-lever joystick or two- or three-lever hydraulic controls? Choose the arrangement that best fits your operator’s style. It’s yet another example of how we respond to your needs.

Nothing runs like a Deere, because nothing is built like one.

Designed and built with state-of-the-art tools by a quality-conscious workforce at our world-class facility in Dubuque, Iowa, these loaders deliver unsurpassed reliability and uptime. These rugged workhorses share many of the same components with our other job-proven, time-tested, industry-leading crawlers and loaders. When you know how they're built, you'll run a John Deere.



1. Our IT4/Stage IIIB technology is simple, fuel efficient, fully integrated, and fully supported. It employs field-proven cooled exhaust gas recirculation (EGR) for reducing NO_x, and a diesel particulate filter (DPF) and diesel oxidation catalyst (DOC) to reduce particulate matter. Periodic active and passive regeneration automatically cleans the filter without impacting machine productivity.
2. Unlike scarifier versions found on other crawler loaders, our optional triple-shank ripper is designed for serious business.

3. Heavy-duty undercarriage is sealed, lubricated, and built to last. Available extended-life tracks deliver up to twice the bushing life, for extra durability in extremely abrasive conditions.
4. Quad-Cool design isolates coolers from engine heat for increased efficiency and durability, and keeps them well-protected behind the heavy-duty grille and fan. Three-millimeter perforations act as a "first filter," preventing entry of most airborne debris.

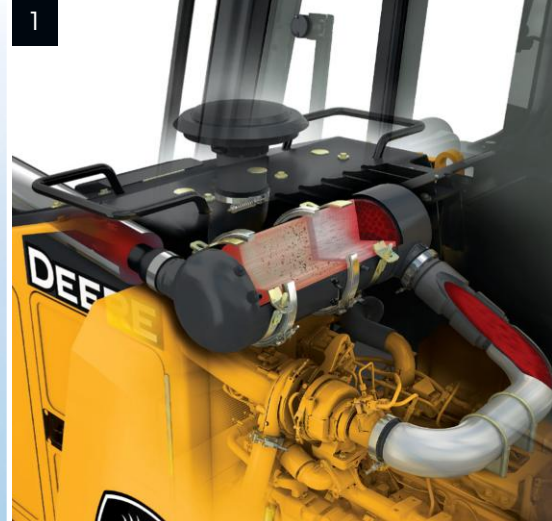
One-piece mainframe resists torsional stress, absorbs shock loads, and delivers maximum strength while providing easy service access to major components.

Wet-sleeve liners provide uniform engine cooling and longer durability than cast-in-block designs.

Sealed hydraulic and hydrostatic reservoirs are separate, eliminating any possibility of cross-contamination.

Hydraulic-driven variable-speed fan runs only as needed, reducing noise and fuel consumption. Reversing option automatically back-blows cooler cores at preset intervals. When conditions demand more frequent cleaning, simply press a button.

Lower bucket pins are lifetime sealed and lubricated.



Designed with an open mind.

It takes only minutes to uncover the many ways the K-Series helps minimize maintenance. Side shields swing open wide to reveal convenient same-side daily service points. An exclusive tilt-out fan box allows simplified access to cooler cores for quick clean-out. Other periodic service tasks such as fluid and filter changes are also refreshingly easy. Even gaining access to drivetrain components takes only minutes. As you can see, when it comes to keeping uptime up and daily operating costs down, we're pretty open-minded.



1. Fluid-sample and diagnostic test ports simplify preventative maintenance work and troubleshooting.

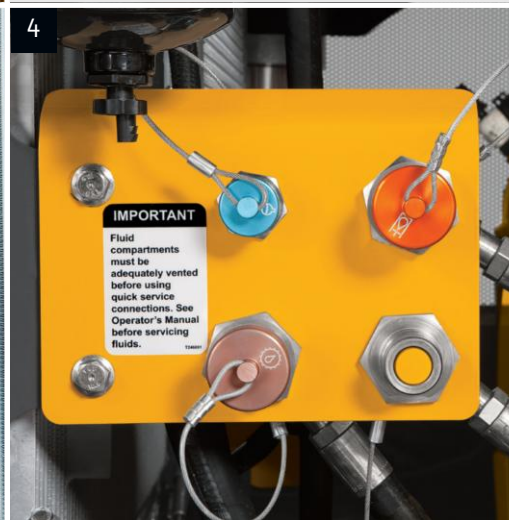


2. Hinged butterfly-style belly pan folds down, providing easy service access to the oil pan.



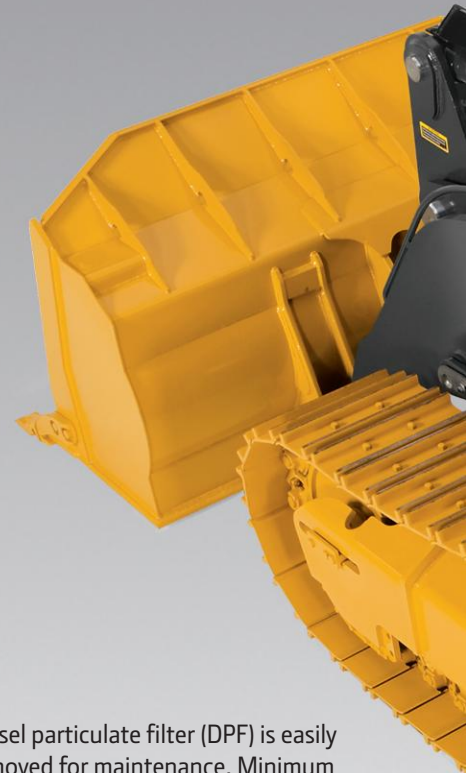
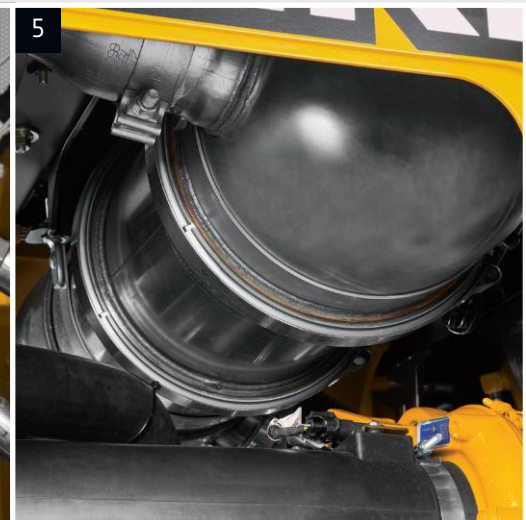
3. Large service doors open wide, and same-side daily checkpoints are conveniently grouped for ground-level access. Engine, hydraulic, and coolant checks and refueling can be done quickly without climbing on the machine. Plus, an under-hood light helps show the way.

4. Optional quick fluid-service ports help speed changes. 2,000-hour hydraulic/transmission, 1,000-hour engine coolant, and 500-hour engine oil-service intervals minimize maintenance.



5. Diesel particulate filter (DPF) is easily removed for maintenance. Minimum service interval is 5,000 hours and can be done by your John Deere dealer.

6. On-screen displays indicate exhaust filter operation and status. Diagnostic monitor also records service intervals and provides easy-to-understand service codes to help speed troubleshooting.



To help conserve fuel and comply with regional regulations, auto-shutdown automatically turns off the engine after an operator-determined period of inactivity.

The swing-out side shields and tilt-out grille provide access to both sides of the coolers for easy cleaning. Hydraulically driven on-demand fan runs only as needed, reducing fuel consumption and wear-causing debris flow through the cores.

Vertical filters allow quick, no-spill changes. Engine, hydraulics, and transmission utilize a common oil, further simplifying service.

Operator station tilts a full 53 degrees in minutes, for wide-open component access.



6

EXHAUST FILTER
SOOT LEVEL
MODERATE

605K

Engine		605K	
Manufacturer and Model	John Deere PowerTech™ PWX 4045		
Non-Road Emissions Standard	EPA Interim Tier 4/EU Stage IIIB		
Displacement	4.5 L (276 cu. in.)		
SAE Net Rated Power	83 kW (110 hp) at 2,200 rpm		
Net Peak Torque	474 Nm (350 ft.-lb.) at 1,400 rpm		
Aspiration	Turbocharged with charge air cooler		
Air Cleaner	Vacuum-aspirated dual-element dry canister		
Cooling			
Fan	Variable-speed suction fan with automatic reversing		
Engine Coolant Rating	-37 deg. C (-34 deg. F)		
Engine Radiator	10.2 fins per in.		
Powertrain			
Transmission	Automatic, dual-path, hydrostatic drive; load-sensing feature automatically adjusts speed and power to match changing load conditions; each individually controlled track is powered by a variable-displacement piston pump and motor combination; ground-speed selection buttons on single-lever steering and direction control; independently selectable reverse speed ratios of 100% , 115%, or 130% of forward ground speed; decelerator pedal controls ground speed to stop		
System Relief Pressure	44 470 kPa (6,450 psi)		
Travel Speeds			
Forward and Reverse	8.9 km/h (5.5 mph)		
Maximum (optional)	8.9 km/h (5.5 mph)		
Steering	Single-lever steering, speed, direction control, and counterrotation; full power turns and infinitely variable track speeds provide unlimited maneuverability and optimum control; hydrostatic steering eliminates steering clutches and brakes		
Final Drives	Double-reduction, planetary final drives transfer torque loads over 3 gear sets		
Total Ratio	51.25 to 1		
Drawbar Pull			
Maximum	143 kN (32,100 lb.)		
At 1.9 km/h (1.2 mph)	94.3 kN (21,200 lb.)		
At 3.2 km/h (2.0 mph)	58.8 kN (13,200 lb.)		
Brakes	Decelerator/brake pedal; automatic power management with manual override for matching ground speed to available engine power		
Service Brakes	Hydrostatic (dynamic) braking stops the machine whenever the direction-control lever is moved to neutral or whenever the decelerator is depressed to the end of travel		
Type	Hydraulic		
Parking Brakes	Exclusive safety feature engages wet, multiple-disc brakes whenever the engine stops, whenever the decelerator is depressed to the end of travel, or whenever the park-lock lever is placed in the upward position or the transmission-control lever is placed in the neutral position and motion is detected; machine cannot be driven with brake applied, reducing wear-out or need for adjustment; spring-applied, hydraulic release		
Hydraulics			
Type	Load sense, piston pump		
Pump Flow	135 L/m (36 gpm)		
System Relief Pressure	22 063 kPa (3,200 psi)		
Differential Pressure	1896 kPa (275 psi)		
Maximum Flow at Unloaded High Idle	141 L/m (37 gpm)		
Control	Dual-axis joystick with optional multipurpose bucket function, or 2- or 3-lever stackable		
Cylinders			
Heat-treated, chrome-plated, polished cylinder rods; hardened steel pivot pins with replaceable bushings			
	<i>Bore</i>	<i>Rod Diameter</i>	<i>Stroke</i>
Lift Cylinders	110 mm (4.3 in.)	63 mm (2.5 in.)	661 mm (26.0 in.)
Bucket-Dump Cylinder	140 mm (5.5 in.)	80 mm (3.1 in.)	429 mm (16.9 in.)



Electrical		605K				
Voltage	24 volts					
Number of Batteries (12 volt)	2					
Battery Capacity	950 CCA					
Reserve Capacity	190 min.					
Alternator Rating						
Cab	100 amp					
Canopy	100 amp					
Lights	Rear mounted (2), front mounted (2), and rear reflectors (2)					
Undercarriage						
Tracks	Track frame with front and rear track guides and sprocket guards; John Deere undercarriage features deep-heat-treated, sealed, and lubricated track links and through-hardened, sealed, and lubricated rollers for maximum wear resistance					
Track Gauge	1600 mm (62 in.) (5 ft. 3 in.)					
Grouser Width	510-mm (20 in.) standard / 460-mm (18 in.) optional					
Chain	Sealed and lubricated					
Shoes, Each Side	38					
Track Rollers, Each Side	6					
Track Length on Ground	2164 mm (85 in.)					
Ground Contact Area						
460-mm (18 in.) Grouser Width	19 909 cm ² (3,086 sq. in.)					
510-mm (20 in.) Grouser Width	21 986 cm ² (3,408 sq. in.)					
Ground Pressure	<i>Standard General-Purpose Bucket with Bolt-On Teeth and Edge Segments</i>	<i>Multipurpose Bucket with Bolt-On Teeth</i>				
460-mm (18 in.) Grouser Width	60.1 kPa (8.7 psi)	61.7 kPa (8.9 psi)				
510-mm (20 in.) Grouser Width	54.5 kPa (7.9 psi)	55.9 kPa (8.1 psi)				
Track Pitch	171.45 mm (6.75 in.)					
Oscillation at Front Roller	None					
Buckets						
	<i>Width</i>	<i>Capacity Heaped</i>	<i>Bucket Weight</i>	<i>Breakout Force</i>	<i>Static Tipping Load</i>	<i>Maximum Clamping Force</i>
General Purpose (with teeth)	2290 mm (90 in.) (7 ft. 6 in.)	1.3 m ³ (1.7 cu. yd.)	743 kg (1,638 lb.)	107 kN (24,054 lbf)	8858 kg (19,529 lb.)	—
Multipurpose (with teeth)	2290 mm (90 in.) (7 ft. 6 in.)	1.0 m ³ (1.3 cu. yd.)	1066 kg (2,329 lb.)	107 kN (24,054 lbf)	8231 kg (18,146 lb.)	6140 kg (13,508 lbf)
Operator Station						
ROPS (ISO 3471 – 2008) and FOPS (ISO 3449 – 2005)						
Serviceability						
Refill Capacities						
Fuel Tank with Lockable Cap	178 L (47 gal.)					
Cooling System with Recovery Tank	23 L (6 gal.)					
Engine Oil with Filter	19 L (5 gal.)					
Transmission Reservoir with Filter	49 L (13 gal.)					
Hydraulic Reservoir and Filter	83 L (22 gal.)					
Final Drive						
Outer Planetary (each)	8.3 L (2.2 gal.)					

Operating Weights 605K

With standard equipment, cab with pressurizer and heater/air conditioner, standard general-purpose bucket with bolt-on teeth and edge segments, full fuel tank, and 79-kg (175 lb.) operator

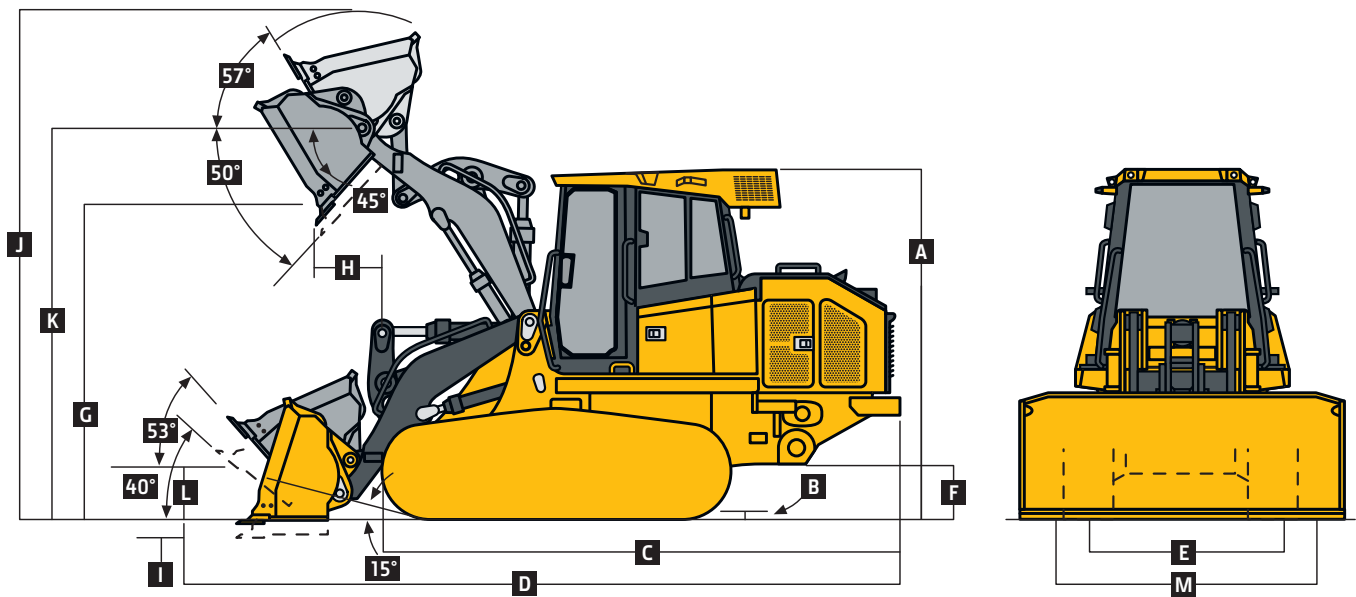
Base Weight 12 220 kg (26,940 lb.)

Optional Components (add or deduct from base weight)

Cab with Pressurizer and Heater/ Air Conditioner	In base
Open ROPS	- 293 kg (- 645 lb.)
Lift-Cylinder Guards	18 kg (40 lb.)
Full-Length Rock Guards	110 kg (243 lb.)
Clam-Cylinder Protection for Multi- Purpose Bucket	40 kg (88 lb.)
Double-Bar Grousers	
460 mm (18 in.)	- 100 kg (- 220 lb.)
510 mm (20 in.)	In base

Machine Dimensions

A Overall Height	2985 mm (9 ft. 10 in.)
B Tread Depth with Double-Bar Grouser	37 mm (1.5 in.)
C Length to Front of Track	4355 mm (14 ft. 3 in.)
D Overall Length with Bucket and Teeth	
General Purpose	6140 mm (242 in.) (20 ft. 1.7 in.)
Multipurpose	6120 mm (241 in.) (20 ft. 1 in.)
E Track Gauge	1600 mm (62 in.) (5 ft. 3 in.)
F Ground Clearance (excludes grouser height)	320 mm (12.6 in.)



605K CRAWLER LOADER WITH STANDARD GENERAL-PURPOSE BUCKET

655K

Engine		655K	
Manufacturer and Model	John Deere PowerTech™ PVX 6068		
Non-Road Emissions Standard	EPA Interim Tier 4/EU Stage IIIB		
Displacement	6.8 L (414 cu. in.)		
SAE Net Rated Power	110 kW (145 hp) at 1,800 rpm		
Net Peak Torque	641 Nm (473 lb.-ft.) at 1,600 rpm		
Aspiration	Turbocharged with charge air cooler		
Air Cleaner	Vacuum-aspirated dual-element dry canister		
Cooling			
Fan	Variable-speed suction fan with automatic reversing		
Engine Coolant Rating	−37 deg. C (−34 deg. F)		
Engine Radiator	10.2 fins per in.		
Powertrain			
Transmission	Automatic, dual-path, hydrostatic drive; load-sensing feature automatically adjusts speed and power to match changing load conditions; each individually controlled track is powered by a variable-displacement piston pump and motor combination; ground-speed selection buttons on single-lever steering and direction control; independently selectable reverse speed ratios of 100% , 115%, or 130% of forward ground speed; decelerator pedal controls ground speed to stop		
System Relief Pressure	45 850 kPa (6,650 psi)		
Travel Speeds			
Forward and Reverse	10 km/h (6.2 mph)		
Maximum (optional)	10 km/h (6.2 mph)		
Steering	Single-lever steering, speed, direction control, and counterrotation; full power turns and infinitely variable track speeds provide unlimited maneuverability and optimum control; hydrostatic steering eliminates steering clutches and brakes		
Final Drives	Double-reduction, planetary final drives transfer torque loads over 3 gear sets		
Total Ratio	46.41 to 1		
Drawbar Pull			
Maximum	242 kN (54,300 lb.)		
At 1.9 km/h (1.2 mph)	128 kN (28,800 lb.)		
At 3.2 km/h (2.0 mph)	78.3 kN (17,600 lb.)		
Brakes	Decelerator/brake pedal; automatic power management with manual override for matching ground speed to available engine power		
Service Brakes	Hydrostatic (dynamic) braking stops the machine whenever the direction-control lever is moved to neutral or whenever the decelerator is depressed to the end of travel		
Type	Hydraulic		
Parking Brakes	Exclusive safety feature engages wet, multiple-disc brakes whenever the engine stops, whenever the decelerator is depressed to the end of travel, or whenever the park-lock lever is placed in the upward position or the transmission-control lever is placed in the neutral position and motion is detected; machine cannot be driven with brake applied, reducing wear-out or need for adjustment; spring-applied, hydraulic release		
Hydraulics			
Type	Load sense, piston pump		
Pump Flow	189 L/m (50 gpm)		
System Relief Pressure	26 028 kPa (3,775 psi)		
Differential Pressure	1896 kPa (275 psi)		
Maximum Flow at Unloaded High Idle	197 L/m (52 gpm)		
Control	Dual-axis joystick with optional multipurpose bucket function, or 2- or 3-lever stackable		
Cylinders			
Heat-treated, chrome-plated, polished cylinder rods; hardened steel pivot pins with replaceable bushings			
	<i>Bore</i>	<i>Rod Diameter</i>	<i>Stroke</i>
Lift Cylinders	125 mm (4.9 in.)	70 mm (2.8 in.)	757 mm (29.8 in.)
Bucket-Dump Cylinder	160 mm (6.3 in.)	95 mm (3.7 in.)	493 mm (19.4 in.)



Electrical		655K				
Voltage	24 volts					
Number of Batteries (12 volt)	2					
Battery Capacity	950 CCA					
Reserve Capacity	190 min.					
Alternator Rating						
Cab	100 amp					
Canopy	100 amp					
Lights	Rear mounted (2), front mounted (2), engine compartment (1), and rear reflectors (2)					
Undercarriage						
Tracks	Track frame with front and rear track guides and sprocket guards; John Deere undercarriage features deep-heat-treated, sealed, and lubricated track links and through-hardened, sealed, and lubricated rollers for maximum wear resistance; sprockets are segmented					
Track Gauge	1740 mm (68.5 in.) (5 ft. 9 in.)					
Grouser Width	510-mm (20 in.) standard / 560-mm (22 in.) optional					
Chain	Sealed and lubricated					
Shoes, Each Side	38					
Track Rollers, Each Side	6					
Track Length on Ground	2414 mm (95 in.)					
Ground Contact Area						
510-mm (20 in.) Grouser Width	24 622 cm ² (3,816 sq. in.)					
560-mm (22 in.) Grouser Width	27 036 cm ² (4,191 sq. in.)					
Ground Pressure	<i>Standard General-Purpose Bucket with Bolt-On Teeth and Edge Segments</i>		<i>Multipurpose Bucket with Bolt-On Teeth</i>			
510-mm (20 in.) Grouser Width	73.7 kPa (10.7 psi)	74.7 kPa (10.8 psi)				
560-mm (22 in.) Grouser Width	67.4 kPa (9.8 psi)	68.4 kPa (9.9 psi)				
Track Pitch	190 mm (7.5 in.)					
Oscillation at Front Roller	± 35 mm (± 1.4 in.)					
Buckets						
	<i>Width</i>	<i>Capacity Heaped</i>	<i>Bucket Weight</i>	<i>Breakout Force</i>	<i>Static Tipping Load</i>	<i>Maximum Clamping Force</i>
General Purpose (with teeth)	2470 mm (97 in.) (8 ft. 1 in.)	1.9 m ³ (2.4 cu. yd.)	1208 kg (2,665 lb.)	148 kN (33,271 lbf)	12 443 kg (27,432 lb.)	—
Multipurpose (with teeth)	2470 mm (97 in.) (8 ft. 1 in.)	1.6 m ³ (2.1 cu. yd.)	1480 kg (3,262 lb.)	148 kN (33,271 lbf)	12 184 kg (26,861 lb.)	8514 kg (18,731 lbf)
Operator Station						
ROPS (ISO 3471 – 2008) and FOPS (ISO 3449 – 2005)						
Serviceability						
Refill Capacities						
Fuel Tank with Lockable Cap	263 L (69.5 gal.)					
Cooling System with Recovery Tank	30.3 L (8 gal.)					
Engine Oil with Filter	24.6 L (6.5 gal.)					
Transmission Reservoir with Filter	106 L (28 gal.)					
Hydraulic Reservoir and Filter	121 L (32 gal.)					
Final Drive						
Inner (each)	8 L (2.1 gal.)					
Outer Planetary (each)	15.6 L (4.1 gal.)					

Operating Weights 655K

With standard equipment, cab with pressurizer and heater/air conditioner, standard general-purpose bucket with bolt-on teeth and edge segments, full fuel tank, and 79-kg (175 lb.) operator

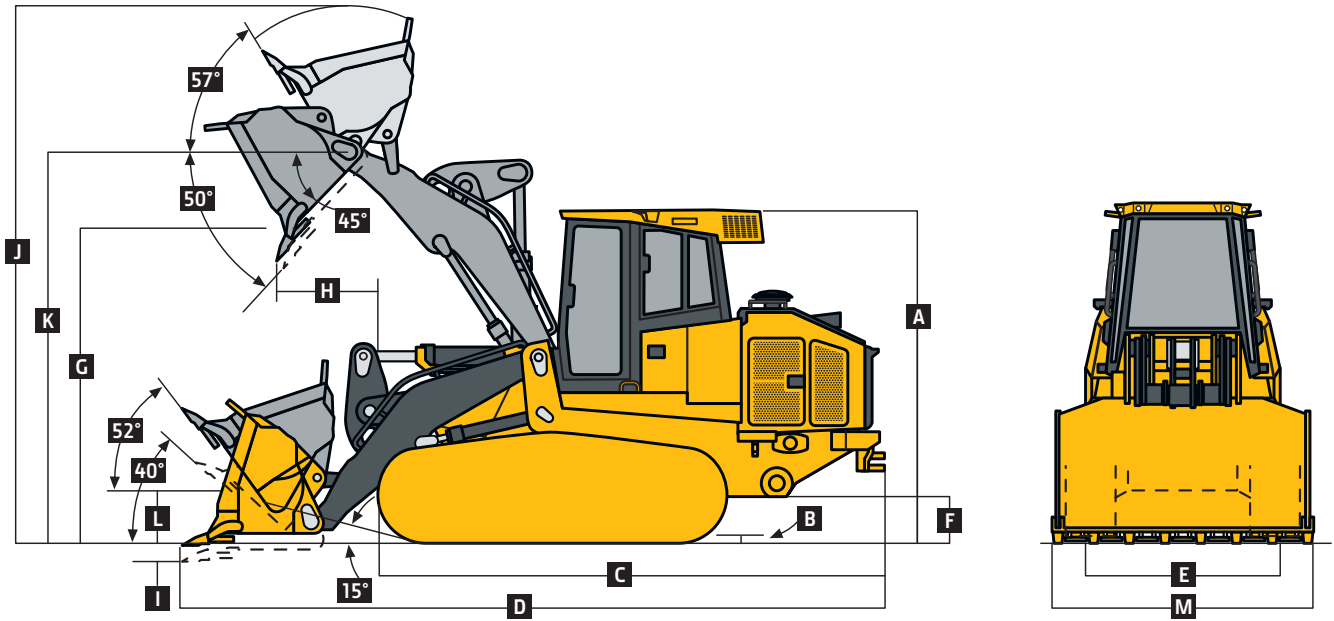
Base Weight 18 422 kg (40,614 lb.)

Optional Components (add or deduct from base weight)

Cab with Pressurizer and Heater/ Air Conditioner	In base
Open ROPS	- 293 kg (- 645 lb.)
Lift-Cylinder Guards	18.4 kg (41 lb.)
Full-Length Rock Guards	180 kg (398 lb.)
Final-Drive Trash Guards	70 kg (155 lb.)
Clam-Cylinder Protection for Multi-Purpose Bucket	50 kg (110 lb.)
Retrieval Hitch	62 kg (136 lb.)
Double-Bar Grousers	
510 mm (20 in.)	In base
560 mm (22 in.)	120 kg (265 lb.)

Machine Dimensions

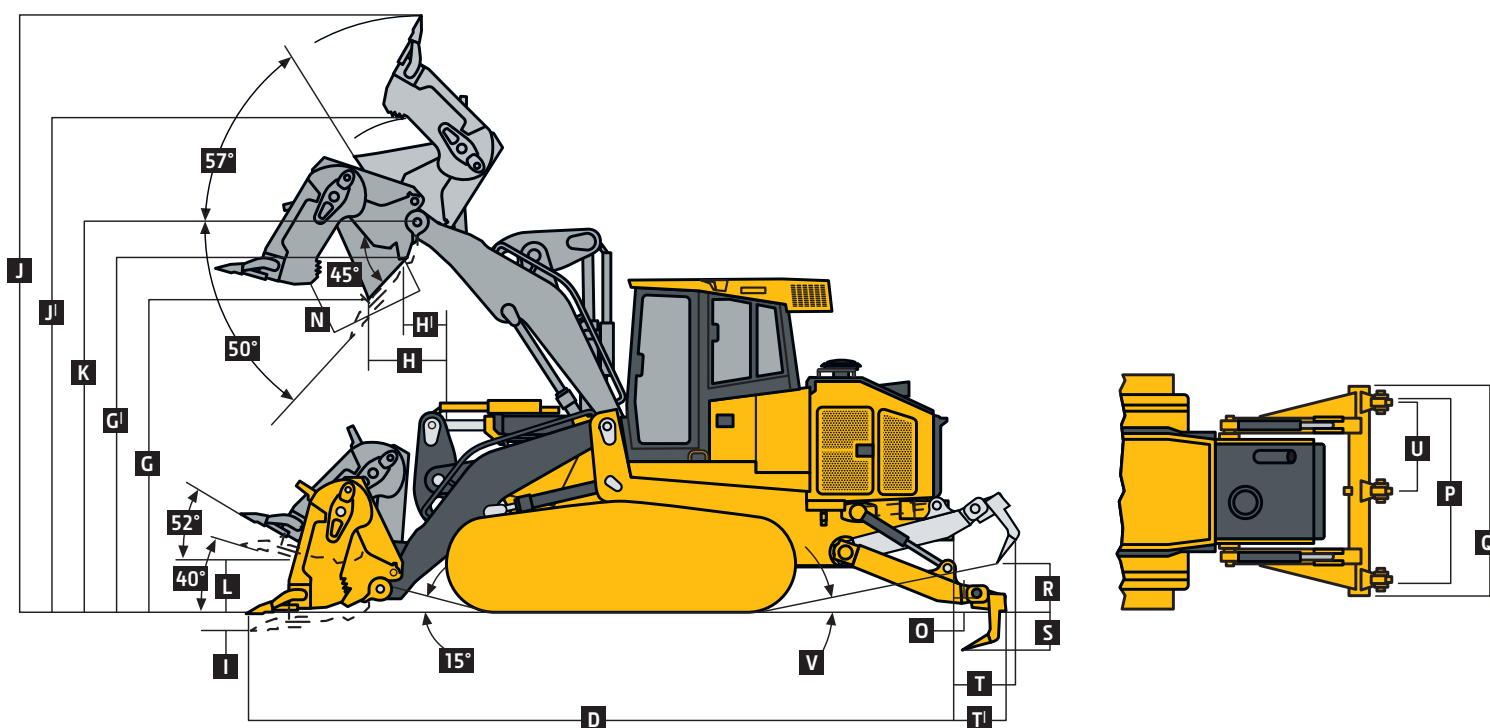
A Overall Height	3120 mm (10 ft. 3 in.)
B Tread Depth with Double-Bar Grouser	35 mm (1.4 in.)
C Length to Front of Track	4920 mm (16 ft. 2 in.)
D Overall Length with Bucket and Teeth	
General Purpose	6735 mm (265 in.) (22 ft. 1.2 in.)
Multipurpose	6635 mm (261 in.) (21 ft. 9 in.)
E Track Gauge	1740 mm (68.5 in.) (5 ft. 9 in.)
F Ground Clearance (excludes grouser height)	395 mm (15.6 in.)



655K CRAWLER LOADER WITH STANDARD GENERAL-PURPOSE BUCKET

Machine Dimensions (continued)	655K
Bucket Type	Standard General-Purpose Bucket with Bolt-On Teeth and Edge Segments (in SAE base operating weight)
G Dumping Height at 45 deg.	2665 mm (105 in.)
H Reach at 45 deg.	1036 mm (41 in.)
I Maximum Digging Depth Below Grade	152 mm (6 in.)
J Maximum Operating Height	4920 mm (193.7 in.)
K Maximum Height of Hinge Pin	3710 mm (146.1 in.) (12 ft. 2.1 in.)
L Height of Hinge Pin, Transport	400 mm (15.7 in.)
M Width of Bucket	2470 mm (97 in.) (8 ft. 1 in.)

Machine Dimensions (continued)	655K
Bucket Type	Multipurpose Bucket with Bolt-On Teeth
G Dumping Height at 45 deg., Bucket	2700 mm (106.3 in.)
G^l Dumping Height at 45 deg., Blade	3325 mm (130.9 in.)
H Reach at 45 deg., Bucket	930 mm (36.6 in.)
H^l Reach at 45 deg., Blade	380 mm (15 in.)
I Maximum Digging Depth Below Grade	205 mm (8.1 in.)
J Maximum Operating Height (open)	5700 mm (224.4 in.)
J^l Maximum Operating Height (closed)	4920 mm (193.7 in.)
K Maximum Height of Hinge Pin	3710 mm (146.1 in.) (12 ft. 2.1 in.)
L Height of Hinge Pin, Transport	400 mm (15.7 in.)
M Width of Bucket	2470 mm (97 in.) (8 ft. 1 in.)
N Width of Opening	1135 mm (44.7 in.)



655K CRAWLER LOADER WITH MULTIPURPOSE BUCKET AND 3-SHANK RIGID-TYPE RADIAL RIPPER WITH ESCO RIPPER TIPS

Rear Ripper	655K
Radial ripper with ESCO® ripper tips, multi-shank (3)	
Ripper Weight	845 kg (1,863 lb.)
O Ground Clearance Below Toolbar	215 mm (8.5 in.)
P Ripping Width	1740 mm (5 ft. 9 in.)
Q Toolbar Width	1941 mm (76.4 in.)
R Lifting Height	740 mm (29.1 in.)
S Ripping Depth	260 mm (10.2 in.)
T Additional Overall Length, Raised	665 mm (26.2 in.)
T' Additional Overall Length, Lowered	685 mm (27 in.)
U Distance Between Teeth	870 mm (34.3 in.)
V Approach Angle, Ripper Raised	15 deg.

755K

Engine		755K	
Manufacturer and Model	John Deere PowerTech™ PVX 6068		
Non-Road Emissions Standard	EPA Interim Tier 4/EU Stage IIIB		
Displacement	6.8 L (414 cu. in.)		
SAE Net Rated Power	142 kW (190 hp) at 1,800 rpm		
Net Peak Torque	887 Nm (654 lb.-ft.) at 1,400 rpm		
Aspiration	Turbocharged with charge air cooler		
Air Cleaner	Dual-stage dry tube with tangential unloader		
Cooling			
Fan	Variable-speed suction fan with automatic reversing		
Engine Coolant Rating	-37 deg. C (-34 deg. F)		
Engine Radiator	10.2 fins per in.		
Powertrain			
Transmission	Automatic, dual-path, hydrostatic drive; load-sensing feature automatically adjusts speed and power to match changing load conditions; each individually controlled track is powered by a variable-displacement piston pump and motor combination; ground-speed selection buttons on single-lever steering and direction control; independently selectable reverse speed ratios of 100% , 115%, or 130% of forward ground speed; decelerator pedal controls ground speed to stop		
System Relief Pressure	45 850 kPa (6,650 psi)		
Travel Speeds			
Forward and Reverse	10 km/h (6.2 mph)		
Maximum (optional)	10 km/h (6.2 mph)		
Steering	Single-lever steering, speed, direction control, and counterrotation; full power turns and infinitely variable track speeds provide unlimited maneuverability and optimum control; hydrostatic steering eliminates steering clutches and brakes		
Final Drives	Double-reduction, planetary final drives transfer torque loads over 3 gear sets		
Total Ratio	44.7483 to 1		
Drawbar Pull			
Maximum	344 kN (77,300 lb.)		
At 1.9 km/h (1.2 mph)	167 kN (37,500 lb.)		
At 3.2 km/h (2.0 mph)	120 kN (27,000 lb.)		
Brakes	Decelerator/brake pedal; automatic power management with manual override for matching ground speed to available engine power		
Service Brakes	Hydrostatic (dynamic) braking stops the machine whenever the direction-control lever is moved to neutral or whenever the decelerator is depressed to the end of travel		
Type	Hydraulic		
Parking Brakes	Exclusive safety feature engages wet, multiple-disc brakes whenever the engine stops, whenever the decelerator is depressed to the end of travel, or whenever the park-lock lever is placed in the upward position or the transmission-control lever is placed in the neutral position and motion is detected; machine cannot be driven with brake applied, reducing wear-out or need for adjustment; spring-applied, hydraulic release		
Hydraulics			
Type	Load sense, piston pump		
Pump Flow	246 L/m (65 gpm)		
System Relief Pressure	26 028 kPa (3,775 psi)		
Differential Pressure	1896 kPa (275 psi)		
Maximum Flow at Unloaded High Idle	256 L/m (68 gpm)		
Control	Dual-axis joystick with optional multipurpose bucket function, or 2- or 3-lever stackable		
Cylinders			
Heat-treated, chrome-plated, polished cylinder rods; hardened steel pivot pins with replaceable bushings			
	<i>Bore</i>	<i>Rod Diameter</i>	<i>Stroke</i>
Lift Cylinders	140 mm (5.5 in.)	80 mm (3.1 in.)	854 mm (33.6 in.)
Bucket-Dump Cylinder	180 mm (7.0 in.)	115 mm (4.5 in.)	551 mm (21.7 in.)



Electrical		755K
Voltage	24 volts	
Number of Batteries (12 volt)	2	
Battery Capacity	950 CCA	
Reserve Capacity	190 min.	
Alternator Rating		
Cab	100 amp	
Canopy	100 amp	
Lights	Rear mounted (2), front mounted (2), engine compartment (1), and rear reflectors (2)	

Undercarriage			
Tracks	Track frame with front and rear track guides and sprocket guards; John Deere undercarriage features deep-heat-treated, sealed, and lubricated track links and through-hardened, sealed, and lubricated rollers for maximum wear resistance; sprockets are segmented		
Track Gauge	1880 mm (74 in.) (6 ft. 2 in.)		
Grouser Width	560-mm (22 in.) standard / 510-mm (20 in.) optional		
Chain	Sealed and lubricated		
Shoes, Each Side	38		
Track Rollers, Each Side	6		
Track Length on Ground	2588 mm (102 in.)		
Ground Contact Area			
510-mm (20 in.) Grouser Width	26 294 cm ² (4,076 sq. in.)		
560-mm (22 in.) Grouser Width	28 985 cm ² (4,493 sq. in.)		
Ground Pressure	<i>Standard General-Purpose Bucket with Bolt-On Teeth and Edge Segments</i>	<i>Multipurpose Bucket with Bolt-On Teeth</i>	
510-mm (20 in.) Grouser Width	76.5 kPa (11.1 psi)	77.2 kPa (11.2 psi)	
560-mm (22 in.) Grouser Width	69.6 kPa (10.1 psi)	70.3 kPa (10.2 psi)	
Track Pitch	203 mm (8 in.)		
Oscillation at Front Roller	± 35 mm (± 1.4 in.)		

Buckets						Maximum
	Width	Capacity Heaped	Bucket Weight	Breakout Force	Static Tipping Load	Clamping Force
General Purpose (with teeth)	2591 mm (102 in.) (8 ft. 6 in.)	2.5 m ³ (3.2 cu. yd.)	1544 kg (3,404 lb.)	197 kN (44,287 lbf)	15 362 kg (33,867 lb.)	—
Multipurpose (with teeth)	2591 mm (102 in.) (8 ft. 6 in.)	2.0 m ³ (2.6 cu. yd.)	1830 kg (4,035 lb.)	197 kN (44,287 lbf)	14 901 kg (32,851 lb.)	11 110 kg (24,493 lbf)

Operator Station	
ROPS (ISO 3471 – 2008) and FOPS (ISO 3449 – 2005)	

Serviceability	
Refill Capacities	
Fuel Tank with Lockable Cap	326 L (86 gal.)
Cooling System with Recovery Tank	32 L (8.5 gal.)
Engine Oil with Filter	24.6 L (6.5 gal.)
Transmission Reservoir with Filter	106 L (28 gal.)
Hydraulic Reservoir and Filter	121 L (32 gal.)
Final Drive	
Inner (each)	8 L (2.1 gal.)
Outer Planetary (each)	15.6 L (4.1 gal.)

Operating Weights 755K

With standard equipment, cab with pressurizer and heater/air conditioner, standard general-purpose bucket with bolt-on teeth and edge segments, full fuel tank, and 79-kg (175 lb.) operator

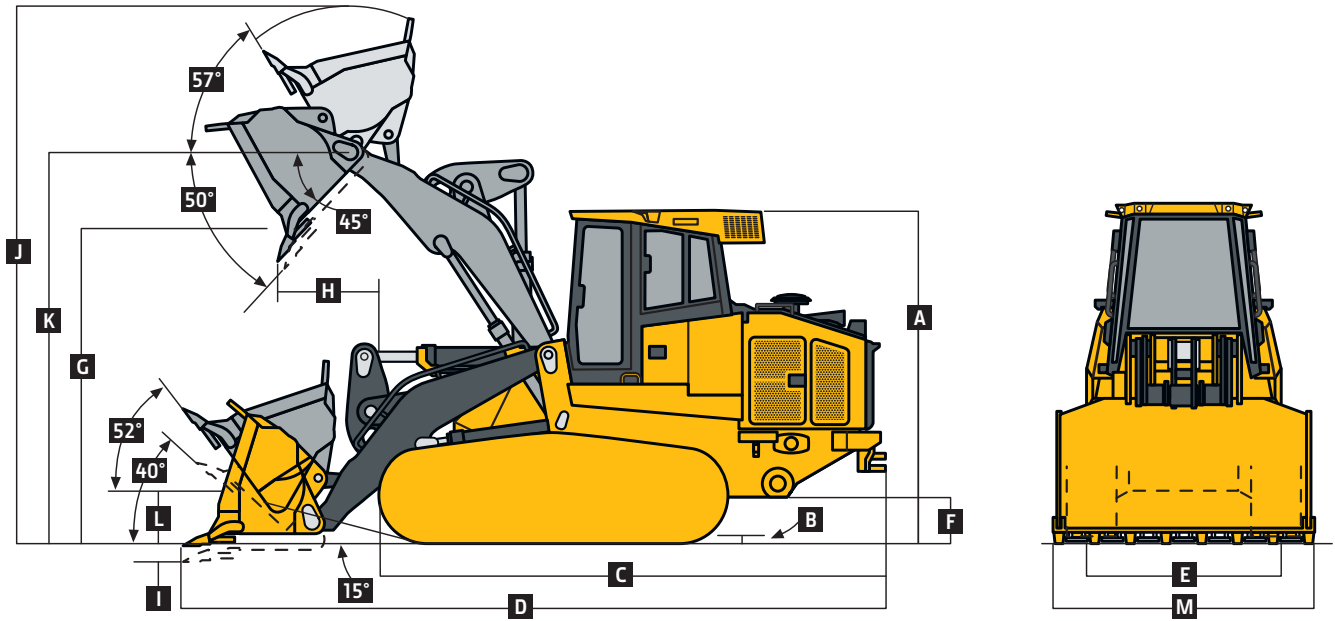
Base Weight 20 492 kg (45,178 lb.)

Optional Components (add or deduct from base weight)

Cab with Pressurizer and Heater/ Air Conditioner	In base
Open ROPS	- 293 kg (- 645 lb.)
Lift-Cylinder Guards	25 kg (55 lb.)
Full-Length Rock Guards	218 kg (480 lb.)
Final-Drive Trash Guards	70 kg (155 lb.)
Clam-Cylinder Protection for Multi- Purpose Bucket	50 kg (110 lb.)
Retrieval Hitch	67 kg (147 lb.)
Double-Bar Grousers	
510 mm (20 in.)	- 141 kg (- 311 lb.)
560 mm (22 in.)	In base

Machine Dimensions

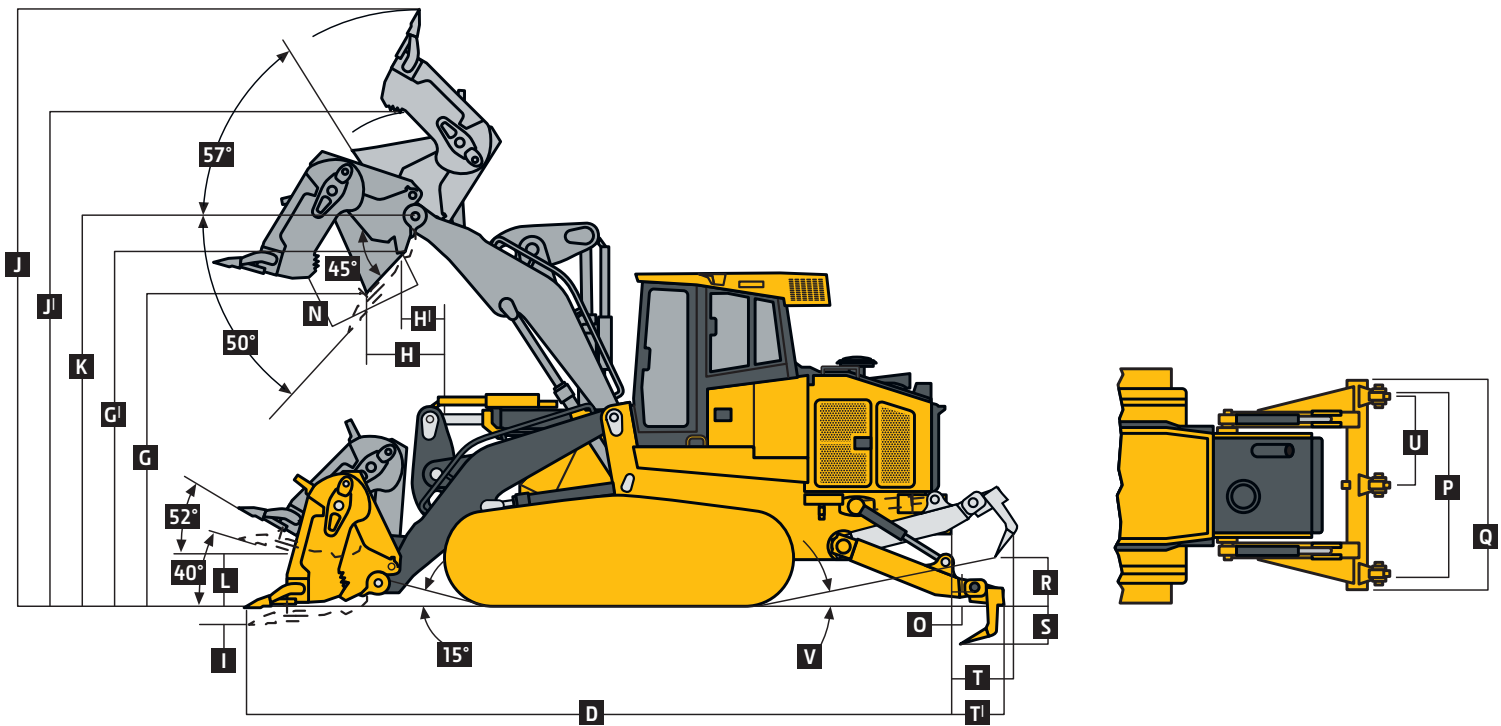
A Overall Height	3330 mm (10 ft. 11 in.)
B Tread Depth with Double-Bar Grouser	42.5 mm (1.7 in.)
C Length to Front of Track	5157 mm (16 ft. 11 in.)
D Overall Length with General- Purpose or Multipurpose Bucket and Teeth	6824 mm (229 in.) (22 ft. 4.6 in.)
E Track Gauge	1880 mm (74 in.) (6 ft. 2 in.)
F Ground Clearance (excludes grouser height)	432 mm (17 in.)



755K CRAWLER LOADER WITH STANDARD GENERAL-PURPOSE BUCKET

Machine Dimensions (continued)	755K
Bucket Type	Standard General-Purpose Bucket with Bolt-On Teeth and Edge Segments (in SAE base operating weight)
G Dumping Height at 45 deg.	2950 mm (116 in.)
H Reach at 45 deg.	1100 mm (43 in.)
I Maximum Digging Depth Below Grade	167 mm (6.6 in.)
J Maximum Operating Height	5592 mm (220 in.)
K Maximum Height of Hinge Pin	4080 mm (160.6 in.) (13 ft. 4.6 in.)
L Height of Hinge Pin, Transport	457 mm (18 in.)
M Width of Bucket	2591 mm (102 in.) (8 ft. 6 in.)

Machine Dimensions (continued)	755K
Bucket Type	Multipurpose Bucket with Bolt-On Teeth
G Dumping Height at 45 deg., Bucket	2959 mm (116.5 in.)
G^l Dumping Height at 45 deg., Blade	3662 mm (144 in.)
H Reach at 45 deg., Bucket	1009 mm (39.7 in.)
H^l Reach at 45 deg., Blade	406 mm (16 in.)
I Maximum Digging Depth Below Grade	226 mm (8.9 in.)
J Maximum Operating Height (open)	5447 mm (215.5 in.)
J^l Maximum Operating Height (closed)	6223 mm (245 in.)
K Maximum Height of Hinge Pin	4080 mm (160.6 in.) (13 ft. 4.6 in.)
L Height of Hinge Pin, Transport	457 mm (18 in.)
M Width of Bucket	2591 mm (102 in.) (8 ft. 6 in.)
N Width of Opening	1239 mm (48.8 in.)



755K CRAWLER LOADER WITH MULTIPURPOSE BUCKET AND 3-SHANK RIGID-TYPE RADIAL RIPPER WITH ESCO RIPPER TIPS

Rear Ripper	755K
Radial ripper with ESCO® ripper tips, multi-shank (3)	
Ripper Weight	884 kg (1,950 lb.)
O Ground Clearance Below Toolbar	166 mm (6.5 in.)
P Ripping Width	1880 mm (6 ft. 2 in.)
Q Toolbar Width	2118 mm (83.4 in.)
R Lifting Height	800 mm (31.5 in.)
S Ripping Depth	254 mm (10 in.)
T Additional Overall Length, Raised	608 mm (24 in.)
T^l Additional Overall Length, Lowered	604 mm (23.8 in.)
U Distance Between Teeth	940 mm (3 ft. 1 in.)
V Approach Angle, Ripper Raised	17 deg.

Additional equipment

Key: ● Standard ▲ Optional or special

See your John Deere dealer for further information.

605K	655K	755K	Engine
●	●	●	Meets EPA Interim Tier 4/EU Stage IIIB emissions
●	●	●	Electronic control with automatic engine protection
●	●	●	Programmable auto engine shutdown
●	●	●	Dual-element dry-tube air cleaner with tangential unloader valve
●	●	●	Environmental service drains
●	●	●	Engine glow plug starting system
●	●	●	Auto turbo cool-down timer
●	●	●	Wet-sleeve cylinder liners
●	●	●	Automatic, on-the-fly exhaust filter cleaning
●	●	●	Fuel filters with automatic electronic priming
▲	▲	▲	120-volt engine block heater
▲	▲	▲	Severe-duty 400-mL fuel filter and water separator
	▲	▲	Rotary ejector engine air precleaner with heating element
Cooling			
●	●	●	Tilt-out cooling fan, hydraulically driven, variable-speed suction type
▲	▲	▲	Automatic, programmable reversing fan
●	●	●	Engine coolant radiator (10.2 fins per in.)
●	●	●	Hydrostatic cooler (oil/air – 10.2 fins per in.)
●	●	●	Hydraulic cooler (oil/air – 10.2 fins per in.)
●	●	●	Enclosed safety fan guard (conforms to SAE J1308 and ISO3457)
●	●	●	Perforated engine and hood side shields
●	●	●	Heavy-duty, trash-resistant radiator and high-ambient cooling package
●	●	●	Tilt-out bar-type grille
●	●	●	Extreme-duty grille
Transmission			
●	●	●	Automatic transmission derating for exceeded system temperatures
●	●	●	Diagnostic test ports
●	●	●	Environmental service drains
●	●	●	2,000-hour vertical spin-on transmission filter
●	●	●	Sealed dedicated transmission reservoir and filtration system separate from hydraulic system
●	●	●	Single-lever joystick direction, speed, and steering control
▲	▲	▲	V-pattern direction and speed control with pedal steering
	▲	▲	Final-drive seal guards (for trash use)
Hydraulic System			
●	●	●	2-function hydraulics – joystick or dual lever
▲	▲	▲	3-function hydraulics – joystick or 3 lever
▲	▲	▲	Rear hydraulics with rear plumbing
●	●	●	Sealed dedicated hydraulic reservoir and filtration system separate from transmission system
●	●	●	2,000-hour vertical spin-on hydraulic filter

605K	655K	755K	Mainframe, Access Panels
●	●	●	Tilt operator station service access
●	●	●	Integral bottom protection
●	●	●	Hinged bottom-access covers (bolt-on)
●	●	●	Vandal protection: Engine access door / Side tank access doors / Fuel tank / Instrument panel / Transmission reservoir / Hydraulic reservoir
	●	●	Maintenance-free center crossbar pivot
Loader			
●	●	●	Return-to-dig feature
●	●	●	Bucket-level indicator
●	●	●	Bucket float
●	●	●	Boom height-control feature
●	●	●	Integrated front tow hook
●	●	●	Sealed and lubricated lower bucket pin
●	●	●	Loader boom service lock
Undercarriage			
	●	●	Oscillating undercarriage with remote lube bank
●	●	●	Full-length, smooth-surface track frame covers
●	●	●	Guides, front and rear, with bolt-on wear strips
	●	●	Segmented sprockets
●	●	●	Double-flange rollers
	▲	▲	Final-drive seal trash guards
▲			Maximum Life Undercarriage system
	▲	▲	Extended-life undercarriage with SC-2™ bushings
●	●	●	Heavy-duty sealed and lubricated undercarriage
▲	▲	▲	Full-length rock guards
●	●	▲	510-mm (20 in.) closed-center double-bar grousers
▲			460-mm (18 in.) closed-center double-bar grousers
	▲	●	560-mm (22 in.) closed-center double-bar grousers
	▲	▲	510-mm (20 in.) open-center double-bar grousers with trapezoidal holes
	▲	▲	560-mm (22 in.) open-center double-bar grousers with trapezoidal holes
Attachments			
▲			1.3-m ³ (1.7 cu. yd.) general-purpose bucket
▲			1.0-m ³ (1.3 cu. yd.) multipurpose bucket
	▲		1.9-m ³ (2.4 cu. yd.) general-purpose bucket
	▲		1.6-m ³ (2.1 cu. yd.) multipurpose bucket
		▲	2.5-m ³ (3.2 cu. yd.) general-purpose bucket
		▲	2.0-m ³ (2.6 cu. yd.) multipurpose bucket
▲	▲	▲	Bolt-on cutting edges
▲	▲	▲	Bolt-on bucket teeth
▲	▲	▲	Bolt-on edge segments and teeth
▲	▲	▲	Bolt-on rear hitch hoop
▲	▲	▲	Radial rear ripper, 3 shank
▲	▲	▲	Operator-protection package
▲	▲	▲	Tilt cylinder protection
▲	▲	▲	Lift cylinder line protection
▲	▲	▲	Multipurpose bucket cylinder protection
▲	▲	▲	Forestry-protection package
	▲	▲	Waste-handler package

Canopy	Cab	Operator's Station / Electrical
●	●	Electronic monitoring system with audible and visual warnings for engine oil temperature, engine oil pressure, hydraulic oil temperature, transmission oil temperature, and transmission charge pressure
●	●	Built-in diagnostics – Diagnostic-code details, sensor values, calibrations, and individual circuit tester
●	●	Multifunction/multi-language LCD monitor – Analog display (fuel level, coolant temperature, engine oil pressure, and voltage) and digital display (engine rpm, charge pressure, hours, diesel particulate filter [DPF] soot level and transmission direction/speed range)
●	●	Retractable seat belts, 76 mm (3 in.) (conform to SAE J386)
●	●	Convex interior rearview mirror (conforms to SAE J985)
●	●	12-volt power port
▲	▲	2nd console-mounted power port, 12 volts
	●	Air conditioner, 24,000 Btu
	●	Tinted glass
	●	Dome light
	●	Heater (roof mount)
●		Air-ride vinyl seat
	●	Air-ride fabric seat
	▲	Deluxe heated and leather-bolstered air-ride seat
▲	●	Under-seat heater
	●	Wipers (intermittent plus 2 speeds) and washers – front and rear windows
	●	AM/FM weather-band radio and clock
●	●	Sealed alternator, cab 130 amps, canopy 100 amps
●	●	Lockable master electrical disconnect switch
●	●	Keyless start with multiple security modes
●	●	Lights, roof mounted (2) front, rear mounted (2)
●	●	Engine compartment light
▲	▲	Work lights, roof mounted (2 additional) front
●	●	JDLINK™ Ultimate wireless communication system (available in specific countries; see your dealer for details)
▲	▲	Fast-fuel system (755K only)
▲	▲	Fluid-sample ports (engine oil, coolant, and hydraulic and hydrostatic oil)
▲	▲	Quick-service ports (engine oil, coolant, and hydraulic and hydrostatic oil)
	▲	Polycarbonate front windshield
▲		Front screen

Net engine power is with standard equipment including air cleaner, exhaust system, alternator, and cooling fan at test conditions specified per ISO9249. No derating is required up to 3050-m (10,000 ft.) altitude. Also available: winches, fair-leads, log arches, skidding grapples, trash packages, landfill-protection packages, cable plows, side booms, field-installed cab for canopy, canopy heater, and fire-suppression systems. Specifications and design subject to change without notice. Wherever applicable, specifications are in accordance with SAE standards. Except where otherwise noted, these specifications are based on units with rollover protective structures, full fuel tanks, 79-kg (175-lb.) operators, and standard equipment.

