

# ROADMASTER™



## Designed for Tough Jobs

MODELS	RE-380-36	RE-380-48
TYPE	Electric	Electric
SPEED (MAX MPH)	11 (17 km/h)	15 (24 km/h)
RANGE (MILES)	26 (42 km)	35 (56 km)
LOAD CAPACITY (lbs)	1,150 (522 kg)	1,150 (522 kg)
BED SIZE (W"xL")	42x34 (106.7 cm)	42x34 (106.7 cm)
VOLTAGE	36	48
TURNING RADIUS (INCHES)	112" (284.5 cm)	112" (284.5 cm)



Based on Standard Configuration

\*Typical capacity: Actual load capacity depends on application and vehicle configuration

## Tough and Dependable Product Solutions

The Roadmaster™ utility vehicle is designed to provide the ultimate versatility in today's work environment. This vehicle utilizes 16-gauge steel unibody design that ensures years of service in rugged applications.

Roadmaster is equipped with a 36 or 48 volt GT drive train that provides speeds up to 15 mph. Equipped standard with automatic charger, solid state speed controller, safety seat switch and 6.6 HP (36V), 8.8 HP (48V) DC SEM motor, Roadmaster is the best value in its class of vehicles.

Configured with fold down 4 passenger seating, Roadmaster can be used as a personnel or burden carrier during daily operations. Equipped with factory installed steel cabin and doors makes this vehicle ideal for both indoor and outdoor applications.

The advantage of selecting a Taylor-Dunn® product is the ability to customize. Whether it's a special cargo box size or shelving required to organize your goods, just ask your Taylor-Dunn field sales representative to provide you with the most cost-effective solution.

With more than 150,000 vehicles in service and over 50 years of experience, Taylor-Dunn® products are the best way to go about your business.

Vehicles may be shown with optional equipment



**TAYLOR-DUNN®**  
Commercial and Industrial Vehicles Since 1949

*The best way to go about your business*

## PERSONNEL CARRIERS



**Aristocrat**



**Roadmaster**

## TOW TRACTORS



**Towmaster**



**Mule**



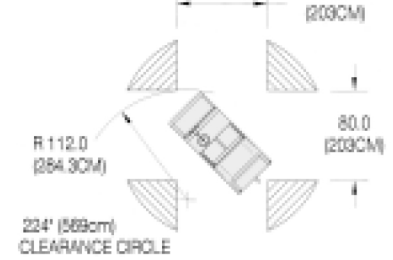
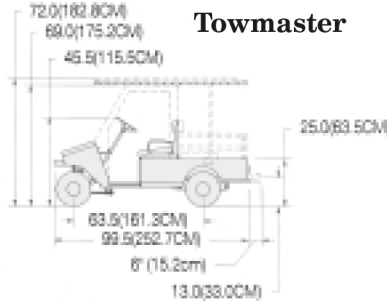
**Pullmaster**



**Model E**



**Huskey**



### ROADMASTER STANDARD SPECIFICATIONS\*

Product Line	RE-380-36	RE-380-48
Unit Weight Lbs (Kgs)	1260 (527.5 kg)	1446 (656 kg)
Load Capacity Lbs (Kgs)	1150 (522 kg)	1150 (522 kg)
Battery Type	6 Ea., 6V, 217 Amp Hour	8 Ea., 6V, 217 Amp Hour
System Voltage	36V DC	48V DC
Drive Axle	GT Automotive Type, Differential	GT Automotive Type, Differential
Transmission	Oil Bath, Helical Gears	Oil Bath, Helical Gears
Motor	6.6 HP DC Separately Excited	8.8 HP DC Separately Excited
Tires	5.70 X 8, Pneumatic Load Range B	5.70 X 8, Pneumatic Load Range B
Brakes	2 Rear Wheel, Hydraulic Disc Standard	4 Wheel, Hydraulic Disc Standard
Steering	24:1 Ratio Automotive Type	24:1 Ratio Automotive Type
Frame	Unitized Fully Welded 16 GA Heavy Duty Diamond Plate Steel	Unitized Fully Welded 16 GA Heavy Duty Diamond Plate Steel
Suspension	Leaf Spring Front & Rear With Dual Front Shocks	Leaf Spring Front & Rear With Dual Front Shocks
Color	Safety Orange	Safety Orange
Seats	Split Seat Cushion With Full Length Back Rest Covered With Black Vinyl	Split Seat Cushion With Full Length Back Rest Covered With Black Vinyl
Controller	Solid State, 36V	Solid State, 48V
Instrumentation	Smart View Display (Battery Status Indicator, Hour Meter, Fault Code Display), DC/DC Converter, Reverse Alarm	Smart View Display (Battery Status Indicator, Hour Meter, Fault Code Display), DC/DC Converter, Reverse Alarm
Light Accessories	Dual Taillights w/Brakelights	Dual Taillights w/Brakelights
Charger	25 Amp, 36V, Built In, Automatic w/Interlock	25 Amp, 48V, Built In, Automatic w/Interlock
Input Voltage	110/60 Hz.	110/60 Hz.
Conformance	Type E, ANSI B56.8, OSHA 1910.178	Type E, ANSI B56.8 OSHA 1910.178

\* Based on standard configuration

### ROADMASTER™ OPTIONAL FEATURES

#### Charger

- Portable 25 amp charger or 40 amp charger
- Built in 110V/220V 50 Hz.
- Charger interlock

#### Accessories

- Strobe light, amber - on pole, or top of cab
- Dual headlights, directional signals
- Reverse light
- Front bumper

#### Deck

- 9 inch high pipe rails, removable end gate
- Cargo box 9 inch high, bolt-on with drop tailgate

- Rear flip up seat, 4 passenger with side hand rails
- Steel panel box 43" w x 31" l x 45" h with double locking doors in rear, with safety glass windows
- Rear tool box with lockable doors

#### Battery Compartment

- 250 a.h. batteries

#### Tires

- 18x8.50x8 Terra tires, pneumatic
- 5.00x8 soft solid

#### Brakes

- Front wheel hydraulic (36V only)

#### Cab

- Steel cab, doors & safety glass windows
- Windshield, rigid plexiglass, clear
- Mirrors - left, right and rear

#### Top Frames

- Fiberglass or surrey top cover with tubular frame
- Extended cab, steel top

#### Color

- White, or special paint color
- Undercoating
- Special seat colors



**Electruck**



**Maintenance Expediter**



**Stepsaver**



**Stockchaser**



**TAYLOR-DUNN CORPORATION**  
Commercial and Industrial Vehicles Since 1949



2114 West Ball Road, Anaheim, CA 92804 • (714) 956-4040 • FAX (714) 956-3130  
Toll Free (800) 688-8680 Visit our website: [www.taylor-dunn.com](http://www.taylor-dunn.com)